

REVO.

# SUPERSERIES

PRODUCT RANGE



2020





ENGINEERING  
AUDIO



reddot award  
winner

## The art of design, the science of acoustics.

Driven by function and quality, our products blend the highest design principles with the latest digital audio technology, each designed to leave a lasting impression and to stand the test of time.

Founded in 2004 and headquartered in the small market town of Lanark, Scotland, Revo is a pioneer in digital radio and audio streaming and the recipient of multiple RedDot and iF product design awards.

Revo products are sold in 20 countries worldwide.

**BEAT THEM  
FOREVER  
AND EVER**  
*we can be heroes. For ever and*





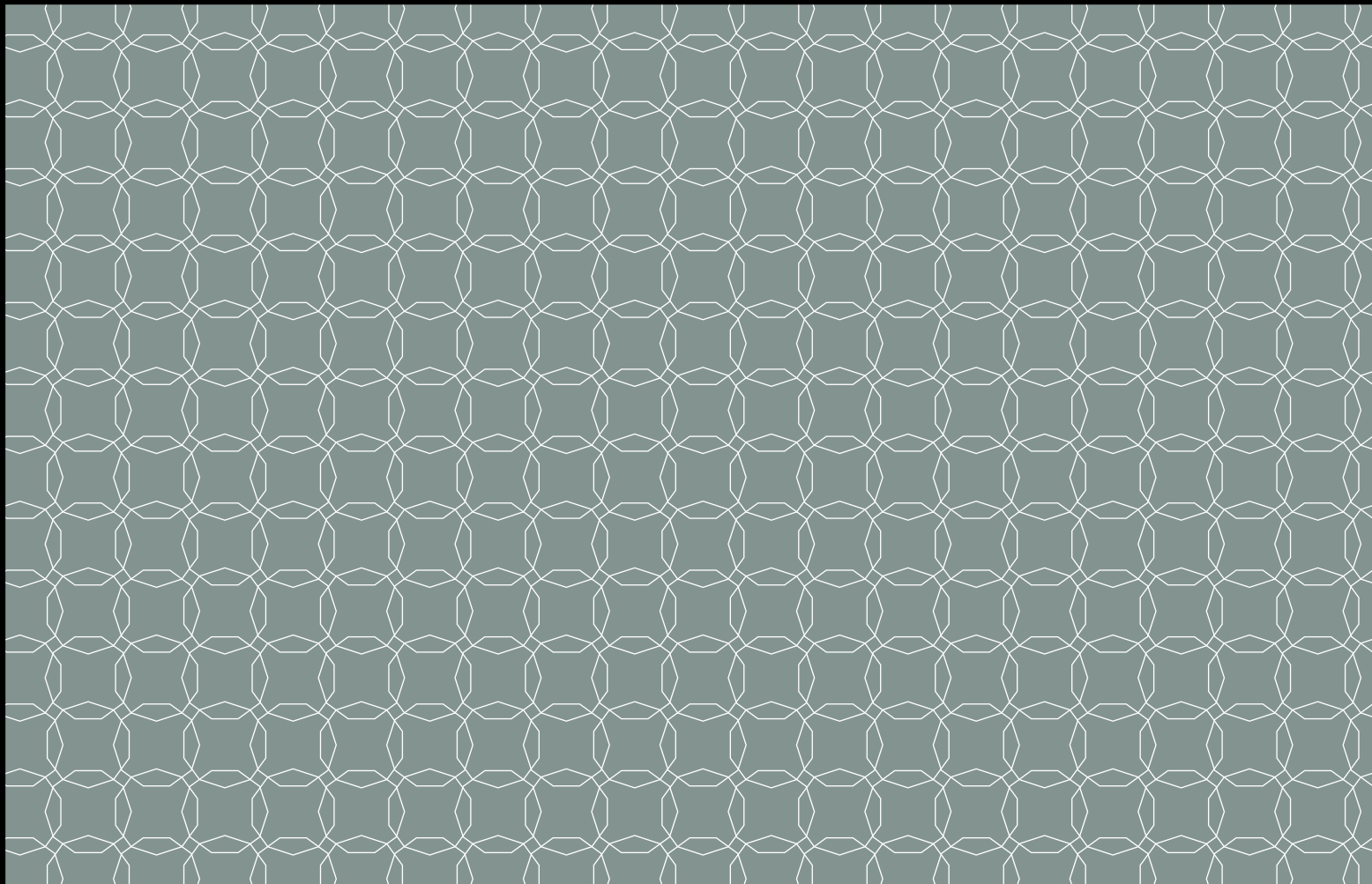
## Four days in Berlin

Early one beautiful May morning the Revo team rolled into Berlin's Mitte district on a mission to take some cool photographs of our SuperSeries range, soak up the sights and sounds of one of the great capitals of the world, and hopefully have some fun while creating a few memories along the way.

The fruits of our labour can be found throughout this brochure, which we dedicate to the people and places of the city of Berlin.

View our "The Berlin Sessions" video clip at :  
[www.vimeo.com/190143008](http://www.vimeo.com/190143008)







.....  
**SUPERCD**





..... SUPERCD



SuperCD | American Walnut & Silver Anodised Aluminium  
S1 Audio Table | American Walnut







American Walnut & Black Anodised Aluminium |

# SUPERCD

SuperSystem is a thoroughly modern music system, combining traditional values of craftsmanship and material integrity with next-generation all-digital technology, superlative room-filling acoustic performance and award-winning industrial design.

SuperSystem has all the bases covered. Radio from around the globe, access to your personal music collection or an almost limitless supply of songs from the world's leading music streaming service. Thanks to the inclusion of UNDOK technology, music can be wirelessly distributed to other compatible devices in your home to establish a sophisticated multiroom audio environment, controllable via an app for iOS or Android devices.

SuperSystem is equipped to receive a wide range of digital radio standards including DAB, DAB+, FM with RDS and wi-fi internet radio – providing access to over 24,000 stations from around the world. But the music doesn't stop there – SuperSystem's ability to communicate with external devices and services is unrivalled. Network audio and WLAN technology enables wireless audio playback from external computers and music servers, Bluetooth® with aptX® delivers CD quality streaming from smartphones, tablets etc., and Spotify Connect completes the proposition by unlocking over 24 million tracks from the Spotify archive.

SuperSystem is crafted using the finest materials and components, its all-wood cabinet with anodised aluminium and mild-steel facia and backplate compliment its advanced electronics beautifully. A detailed graphical OLED display and joystick control add a touch of modernity, while twin 3.5" BMR speaker drivers and integrated active subwoofer deliver 80W of clear room-filling digital audio with pin-sharp clarity and deep, satisfying bass.

- ▶ DAB/DAB+, internet radio and FM
- ▶ Spotify Connect & Network Audio

- ▶ 80 watt Class-D amp & BMR drivers
- ▶ UNDOK Multiroom capability

- ▶ Bluetooth® with aptX®
- ▶ iOS and Android control app

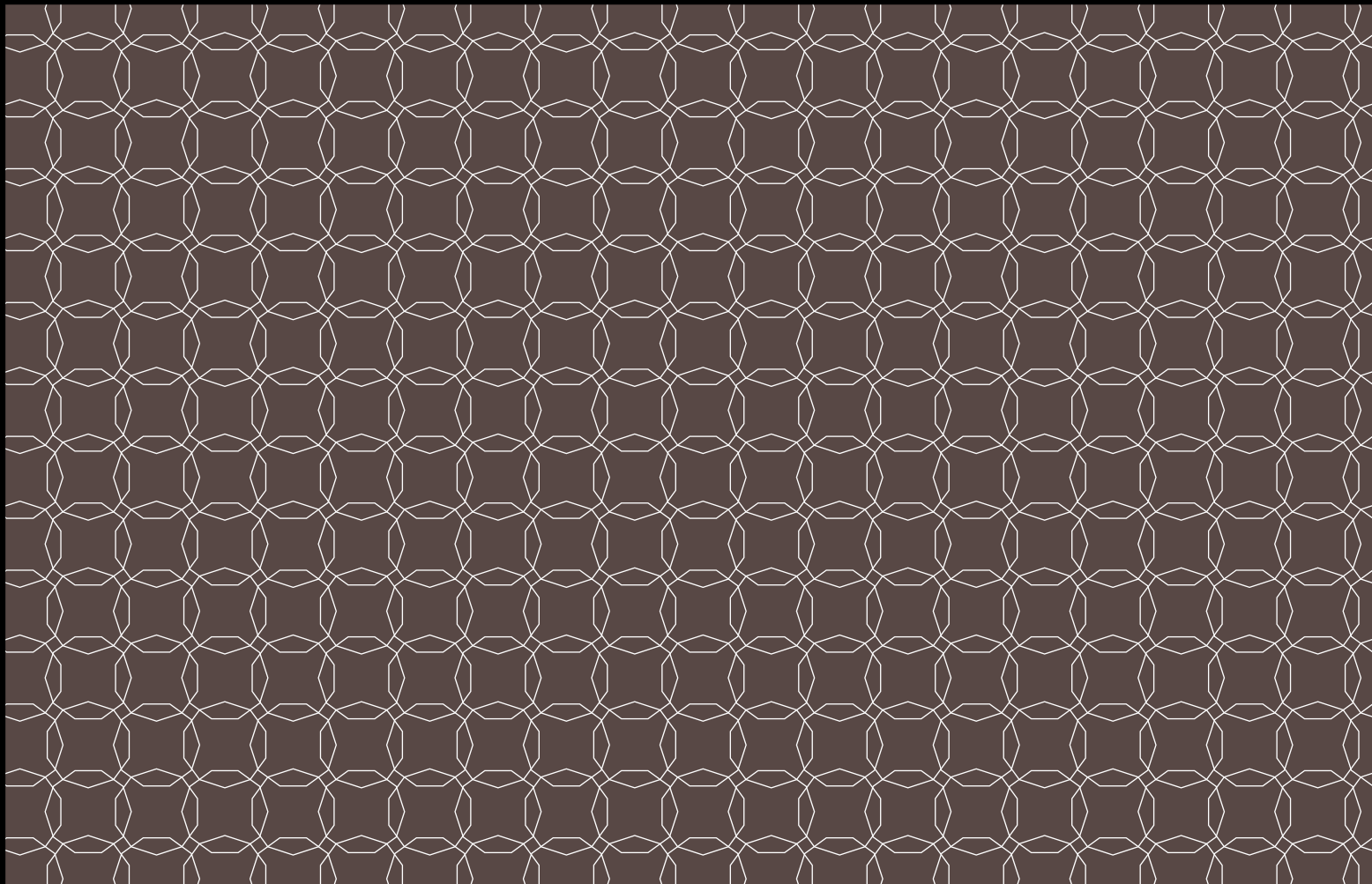
## Available Finishes



Walnut  
Silver



Walnut  
Black





.....  
**SUPERCONNECT**





SUPERCONNECT

*"Not many radios we review manage to impress on so many fronts...  
Design, ease of use and sound quality - the Revo has it all."*

**WHAT HI·FI?**  
SOUND AND VISION  
**AWARDS 2016**  
BEST RADIO £200+

| American Walnut & Silver Anodised Aluminium







reddot award :  
winner



American Walnut & Black Anodised Aluminium |

## ..... SUPERCONNECT

Functionalism meets craft and technology, a next-generation audio device that beats at the heart of your musical ecosystem, providing whatever soundtrack you need. Radio from around the globe, access to your personal music collection or an almost limitless supply of songs from the world's leading music streaming service. Thanks to the inclusion of UNDOK technology, music can be wirelessly distributed to other compatible devices in your home to establish a sophisticated multiroom audio environment, controllable via an app for iOS or Android devices.

SuperConnect is equipped to receive a wide range of digital radio standards including DAB, DAB+, FM with RDS and wi-fi internet radio - providing access to over 24,000 stations from around the world. SuperConnect's ability to communicate with external devices and services is unrivalled. Network audio and WLAN technology enables wireless audio playback from external computers and music servers, Bluetooth® with aptX® delivers CD quality streaming from smartphones, tablets etc., and Spotify Connect completes the proposition by unlocking over 30 million tracks from the Spotify archive.

SuperConnect is available in five distinct colour combinations, each with an all-wood cabinet, anodised aluminium and mild-steel facia and backplate. A graphical OLED display and joystick control add a touch of modernity, while patented audio electronics and BMR driver technology deliver 15W of clear digital audio with clarity and deep, rich bass.

▶ DAB/DAB+, internet radio and FM  
▶ Spotify Connect & Network Audio

▶ 15 watt Class-D amp & BMR driver  
▶ UNDOK Multiroom capability

▶ Bluetooth® with aptX®  
▶ iOS and Android control app

### Available Finishes



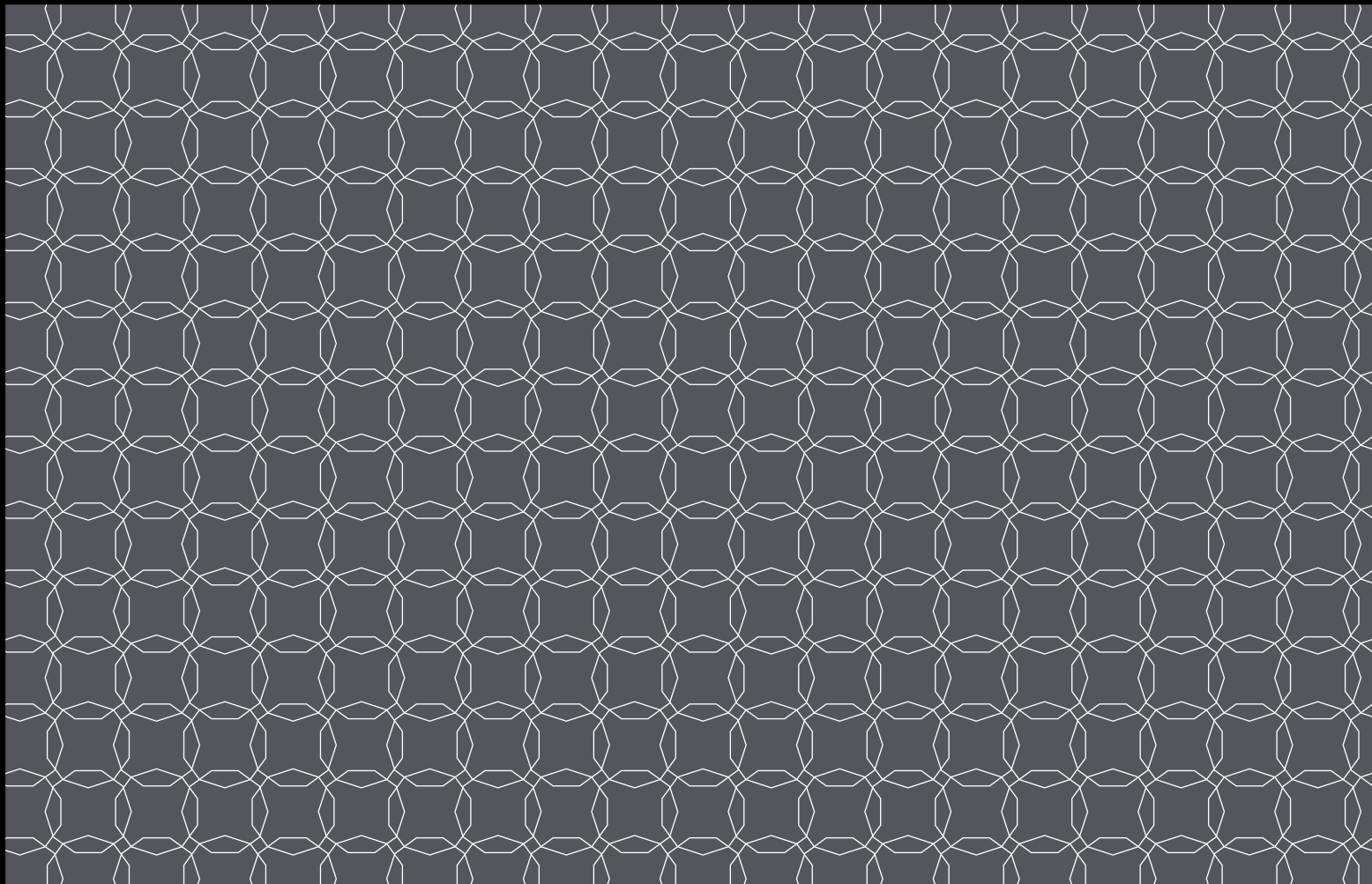
Walnut  
Silver



Walnut  
Black



Shadow  
Edition





**SUPERSYSTEM**






SUPERSYSTEM







*“Super by name, super by nature.”*

**WHAT HI·FI?**  
SOUND AND VISION  
**AWARDS 2017**  
BEST SYSTEM

Matt schwarz & silber eloxiertes Aluminium



reddot award  
winner



American Walnut & Black Anodised Aluminium

# SUPERSYSTEM

SuperSystem is a thoroughly modern music system, combining traditional values of craftsmanship and material integrity with next-generation all-digital technology, superlative room-filling acoustic performance and award-winning industrial design.

SuperSystem has all the bases covered. Radio from around the globe, access to your personal music collection or an almost limitless supply of songs from the world's leading music streaming service. Thanks to the inclusion of UNDOK technology, music can be wirelessly distributed to other compatible devices in your home to establish a sophisticated multiroom audio environment, controllable via an app for iOS or Android devices.

SuperSystem is equipped to receive a wide range of digital radio standards including DAB, DAB+, FM with RDS and wi-fi internet radio – providing access to over 24,000 stations from around the world. But the music doesn't stop there – SuperSystem's ability to communicate with external devices and services is unrivalled. Network audio and WLAN technology enables wireless audio playback from external computers and music servers, Bluetooth® with aptX® delivers CD quality streaming from smartphones, tablets etc., and Spotify Connect completes the proposition by unlocking over 24 million tracks from the Spotify archive.

SuperSystem is crafted using the finest materials and components, its all-wood cabinet with anodised aluminium and mild-steel facia and backplate compliment its advanced electronics beautifully. A detailed graphical OLED display and joystick control add a touch of modernity, while twin 3.5" BMR speaker drivers and integrated active subwoofer deliver 80W of clear room-filling digital audio with pin-sharp clarity and deep, satisfying bass.

- ▶ DAB/DAB+, internet radio and FM
- ▶ Spotify Connect & Network Audio

- ▶ 80 watt Class-D amp & BMR drivers
- ▶ UNDOK Multiroom capability

- ▶ Bluetooth® with aptX®
- ▶ iOS and Android control app

## Available Finishes



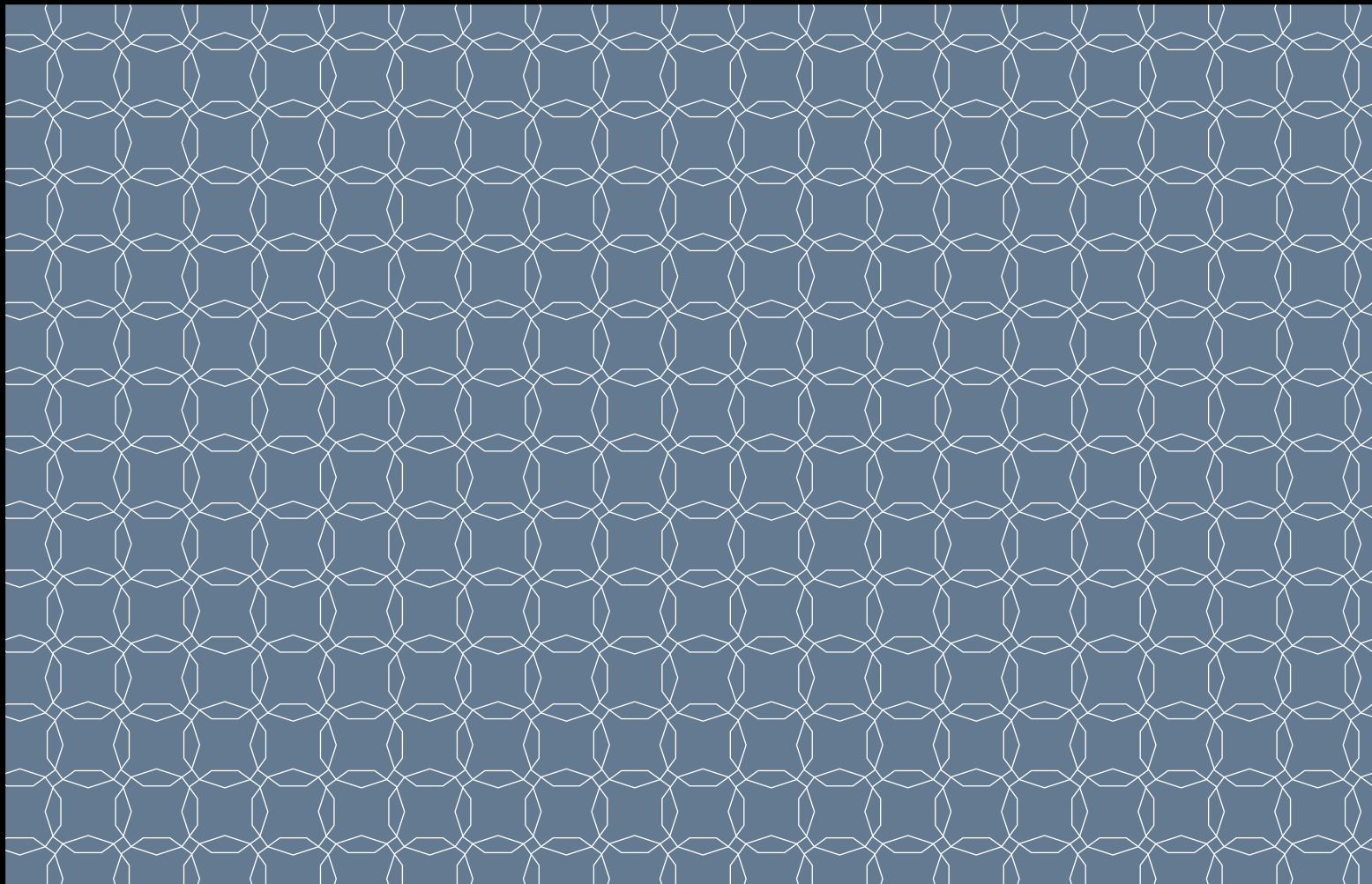
Walnut  
Silver



Walnut  
Black



Shadow  
Edition





**SUPERSIGNAL**





# SUPERSIGNAL

*"Visual appeal and superb audio ability mean the SuperSignal is a radio to be reckoned with."*



| American Walnut & Silver Anodised Aluminium







American Walnut & Black Anodised Aluminium |

# ..... SUPERSIGNAL

SuperSignal shares the functionalist design philosophy and uncompromising quality ethos that is our hallmark, ensuring that it is truly a product without equal in the compact digital radio category.

SuperSignal is equipped to receive DAB/DAB+ broadcasts, as well as traditional FM with RDS. Bluetooth® support is also included, meaning users can wirelessly stream music from their iPhone, Samsung, Windows Phone, Blackberry or other Bluetooth enabled device, including laptops and tablets – with no physical docking necessary. The addition of CSR's aptX® technology means that where supported by the transmitting device, streaming music will be at CD quality rather than the lower bit rate MP3 quality of standard Bluetooth. SuperSignal includes sophisticated alarm clock functionality including dual alarms, Sleep and Touch-Snooze activated by simply touching the radio's aluminium grille.

SuperSignal's wooden cabinet is clad in a choice of furniture-grade American walnut veneer or premium quality matt paint finishes, while anodised aluminium and mild-steel components provide a reassuringly tactile quality. A detailed graphical OLED display and joystick control add a touch of modernity, while patented audio electronics and BMR driver technology deliver 12W of clear digital audio with clarity and deep rich bass.

- ▶ DAB/DAB+ and FM with RDS
- ▶ Bluetooth® streaming with aptX®
- ▶ BMR flat diaphragm loudspeaker
- ▶ 12 watt via Class-D amplifier
- ▶ Alarm clock with Sleep & Snooze

## Available Finishes



Walnut  
Silver



Walnut  
Black



Shadow  
Edition



## Recognition

---



reddot award  
winner

2008 | 2009 | 2010  
2011 | 2012 | 2014 | 2015



Radio of the year for Norway, Sweden & Denmark



product  
design  
award

2009 | 2011





"Not many radios we review manage to impress on so many fronts... design, ease of use and sound quality - the Revo has it all. Super by name, Super by nature."



"The Revo SuperSystem is exactly that - a super system for listening to pretty much anything you like."

**techradar.**

"The Revo SuperSignal is a brilliant bedside radio. The Bluetooth tech is well implemented and the sound quality is consistently excellent."



"Revo's got a near-flawless record when it comes to home audio"



"A superb sounding radio that covers all the bases and more. Five Stars & Best Buy"



"The SuperSystem is the one-box unit that manages to get closest to achieving the sound of a dedicated separate speaker system in terms of scale and impact."



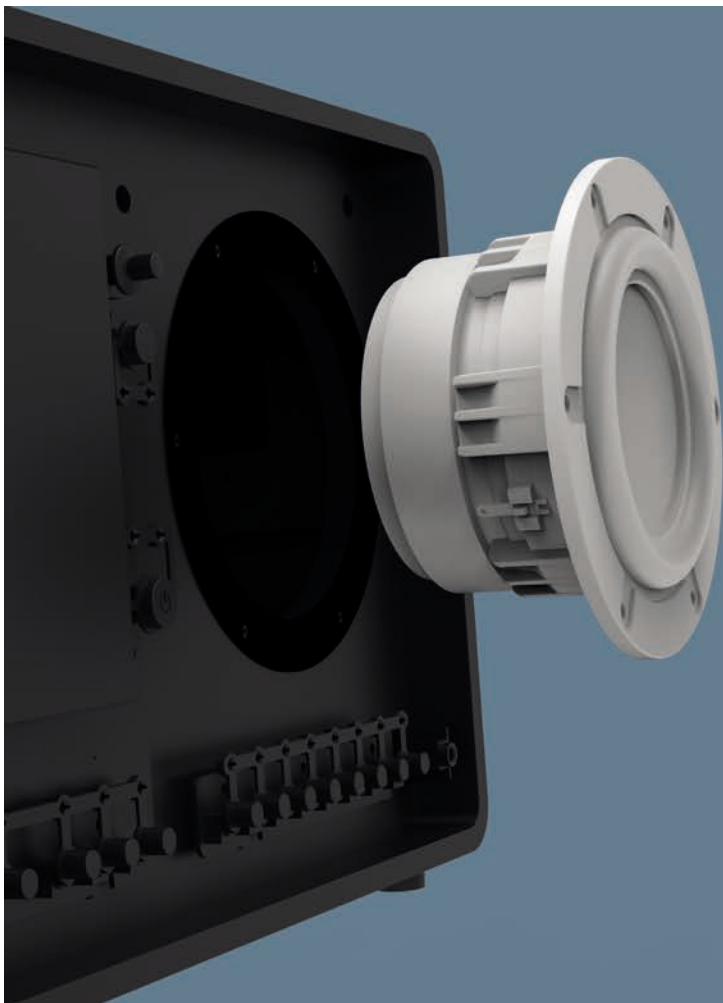
"SUPER-CHARGED - Tune-in, listen-up... and let the music wash over you"



"SuperConnect's strengths are many... we give it our unreserved recommendation."



Visual appeal and superb audio ability mean the SuperSignal is a radio to be reckoned with..



## SuperSeries Acoustics

The award-winning audio characteristics of our SuperSeries products are the result of a considered blend of the finest electronic, acoustic and software design. The finest audio components, all-digital technology, cutting-edge sound modelling techniques and a carefully engineered bass porting system combine to deliver category defining performance.



### BMR

BMR (Balanced Mode Radiator) speaker drivers utilise flat diaphragm transducer technology and combine the performance attributes of a flat panel speaker with the pistonic movement of a conventional loudspeaker, resulting in a high performance compact drive unit that develops wide dispersion and an expanded sweet spot.



### EQ

Our engineers utilise advanced sound modelling techniques to design the award-winning sound profiles used in our SuperSeries models. In tandem with our custom hardware design, our proprietary EQ configurations develop a warm open sound with clarity, detail and deep rich bass - free from coloration and distortion and benefiting from an expansive sound field.



### CABINET

A hand-crafted wooden cabinet has been selected for its superb acoustic properties, no other material provides the deep foundations of great audio performance like wood.



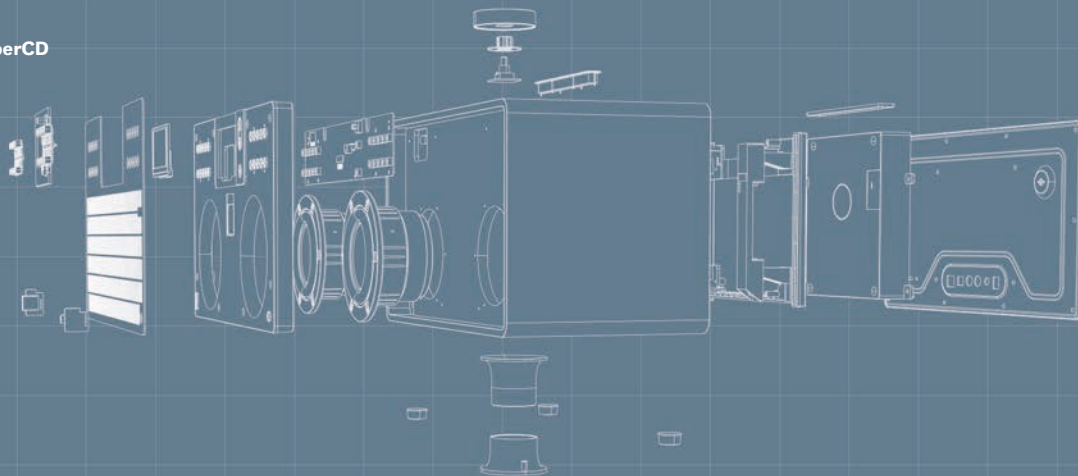
### AMPLIFICATION

All-digital Class-D amplifiers.





## SuperCD



### DIMENSIONS

33.5 x 20 x 18 cm  
13.2 x 7.9 x 7 in



### WEIGHT

5.3 kg  
11.7 lbs



### MATERIALS

Real wood veneers, MDF, anodised aluminium and mild steel



### SPEAKER DRIVER

2 x 3.5 in BMR flat diaphragm transducer



### AMPLIFIER

40 watt Class-D



### DISPLAY

2.7 in graphical OLED



### CONTROL

Joystick-based user interface, infrared remote and iOS & Android app



### CD

Vertical slot-loading mechanism



### RADIO

DAB/DAB+, internet radio and FM with RDS



### MULTIROOM

UNDOK multiroom enabled with connectivity for up to 5 devices



### WIRELESS CONNECTIVITY

Wi-Fi internet radio, UNDOK multiroom, Bluetooth® 4.1 with Qualcomm® aptX™, Spotify Connect and Network Audio



### ALARM

Dual alarm memory with Sleep function and touch-panel Snooze



### AUDIO CODECS

AAC, AAC+, MP3, WAV, WMA and FLAC



### CONNECTORS

3.5mm headphone, digital optical-out, AUX-IN, stereo RCA out, USB for device charging and software update port



### POWER CONSUMPTION

Typical maximum in operation **16.8** watts  
Standby **0.8** watts



### PSU

Multi-country power unit: UK, Euro, U.S. and Australasian

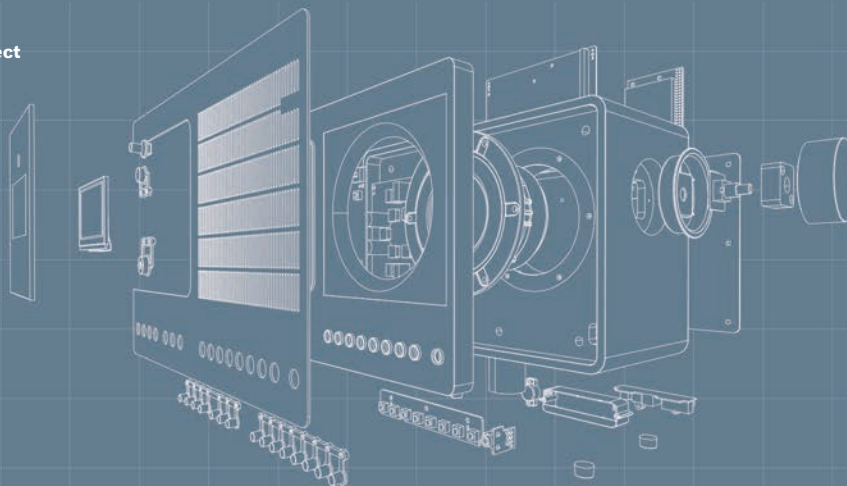


### IN THE BOX

SuperCD music system, infrared remote control, owner's guide, screen cleaning cloth and multi-country PSU



## SuperConnect



### DIMENSIONS

27 x 18 x 12 cm  
10.6 x 7.1 x 4.7 in



### WEIGHT

2.8 kg  
6 lbs



### MATERIALS

Real wood veneers, MDF, anodised aluminium and mild steel



### SPEAKER DRIVER

3.5 in BMR flat diaphragm transducer



### AMPLIFIER

15 watt Class-D



### DISPLAY

2.7 in graphical OLED



### CONTROL

Joystick-based user interface, infrared remote and iOS & Android app



### RADIO

DAB/ DAB+, internet radio and FM with RDS



### MULTIROOM

UNDOK multiroom enabled with connectivity for up to 5 devices



### WIRELESS CONNECTIVITY

Wi-Fi internet radio, UNDOK multiroom, Bluetooth® 4.1 with Qualcomm® aptX™, Spotify Connect and Network Audio



### ALARM

Dual alarm memory with Sleep function and touch-panel Snooze



### AUDIO CODECS

AAC, AAC+, MP3, WAV, WMA and FLAC



### CONNECTORS

3.5mm headphone, AUX-IN, optical out and stereo RCA



### POWER CONSUMPTION

Typical maximum in operation 16.8 watts  
Standby 0.8 watts



### PSU

Multi-country power unit: UK, Euro, U.S. and Australasian

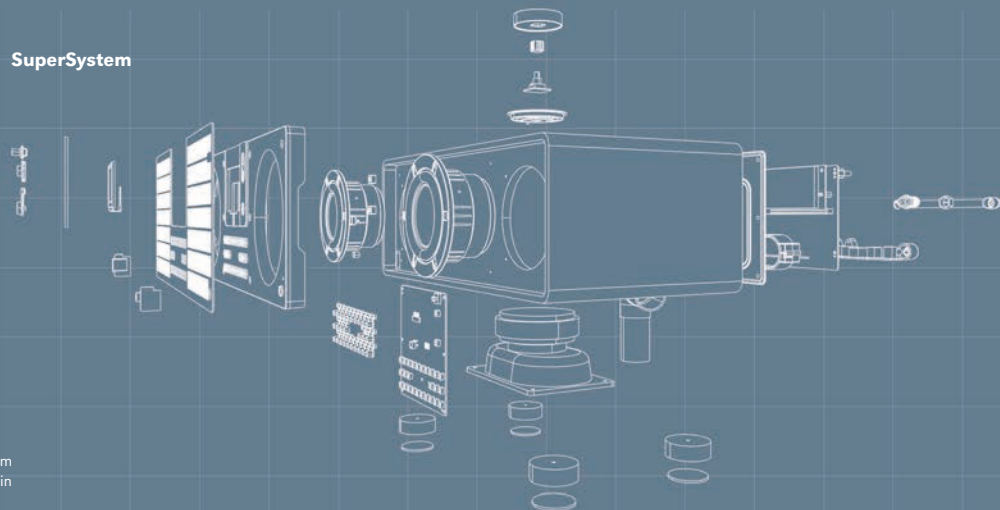


### IN THE BOX

SuperConnect radio, infrared remote control, owner's guide, screen cleaning cloth and multi-country PSU



## SuperSystem



### DIMENSIONS

43 x 22 x 16.5 cm  
16.9 x 8.7 x 6.5 in



### WEIGHT

9.8 kg  
21.6 lbs



### MATERIALS

Real wood veneers, MDF, anodised aluminium and mild steel



### SPEAKER DRIVER

2 x 3.5 in BMR flat diaphragm transducer  
1 x 5.25 in 50 watt subwoofer



### AMPLIFIER

80 watt Class-D



### DISPLAY

2.7 in graphical OLED



### CONTROL

Joystick-based user interface, infrared remote and iOS & Android app



### RADIO

DAB/DAB+, internet radio and FM with RDS



### MULTIROOM

UNDOK multiroom enabled with connectivity for up to 5 devices



### WIRELESS CONNECTIVITY

Wi-Fi internet radio, UNDOK multiroom, Bluetooth® 4.1 with Qualcomm® aptX™, Spotify Connect and Network Audio



### ALARM

Dual alarm memory with Sleep function and touch-panel Snooze



### AUDIO CODECS

AAC, AAC+, MP3, WAV, WMA and FLAC



### CONNECTORS

3.5mm headphone, digital optical-in, digital optical-out, wired LAN, USB for audio playback and device charging, software update port, AUX-IN and stereo RCA out



### POWER CONSUMPTION

Maximum in operation 48.64 watts  
Standby 0.758 watts



### PSU

Multi-country power unit: UK, Euro, U.S. and Australasian

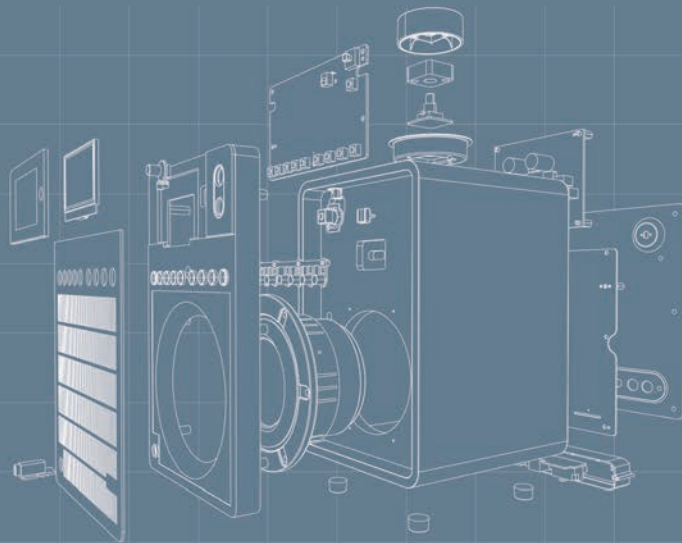


### IN THE BOX

SuperSystem, infrared remote control, owner's guide, screen cleaning cloth and multi-country PSU



| SuperSignal



**DIMENSIONS**

13.5 x 21 x 14 cm  
5.3 x 8.3 x 5.5 in



**WEIGHT**

2.3 kg  
5 lbs



**MATERIALS**

Real wood veneers, MDF, anodised aluminium and mild steel



**SPEAKER DRIVER**

3.5 in BMR flat diaphragm transducer



**AMPLIFIER**

12 watt Class-D



**DISPLAY**

2.4 in graphical OLED



**CONTROL**

Joystick-based user interface, infrared remote and iOS & Android app



**RADIO**

DAB/DAB+ and FM with RDS



**WIRELESS CONNECTIVITY**

Bluetooth® 4.1 with Qualcomm® aptX™



**ALARM**

Dual alarm memory with Sleep function and touch-panel Snooze



**CONNECTORS**

3.5mm headphone, AUX-IN, stereo RCA and software update port



**POWER CONSUMPTION**

Maximum in operation 17.87 watts  
Standby 0.67 watts



**PSU**

Multi-country power unit: UK, Euro, U.S. and Australasian



**IN THE BOX**

SuperSignal radio, infrared remote control, owner's guide, screen cleaning cloth and multi-country PSU

# We provide the soundtrack

---

## Making suite music

Revo audio devices are at home in some of the world's finest hotel rooms and suites, wherever quality and thoughtful, timeless design is appreciated.

From the restored glory of the 241 room Chicago Athletic Association on Michigan Avenue, to the refined opulence of the 37 room Grande Pigalle in Paris, Revo products make a quiet yet striking aesthetic statement.

For a comprehensive list of hotels that feature Revo products in their rooms and suites, please visit [www.revo.co.uk/hospitality](http://www.revo.co.uk/hospitality)

*Interested in Revo for your hotel project?  
Contact [info@revo.co.uk](mailto:info@revo.co.uk)*



ALMALUSA, LISBON | PORTUGAL

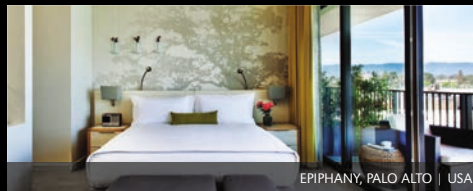




ACE HOTEL, LONDON | UK



ROSA ET AL, PORTO | PORTUGAL



EPIPHANY, PALO ALTO | USA



SHOREDITCH HOUSE | LONDON



ACE HOTEL, PANAMA CITY | PANAMA



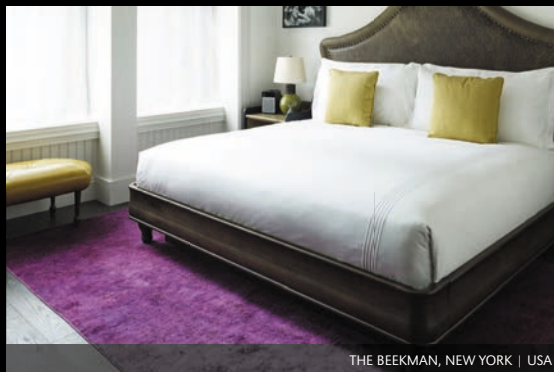
GRAND PIGALLE, PARIS | FRANCE



CHICAGO ATHLETIC ASSOCIATION, CHICAGO | USA



WYTHE HOTEL, NEW YORK | USA



THE BEEKMAN, NEW YORK | USA



HENRIETTA, LONDON | UK



CARMEL RANCH, CARMEL | USA



**Chicago Athletic Association**  
CHICAGO, USA  
[www.chicagoathletichotel.com](http://www.chicagoathletichotel.com)

**NOBU HOTEL**

**Nobu Hotel**  
PALO ALTO, USA  
[www.nobuhotels.com](http://www.nobuhotels.com)



**Two Bunch Palms**  
PALM SPRINGS, USA  
[www.twobunchpalms.com](http://www.twobunchpalms.com)



**Wythe Hotel**  
NEW YORK, USA  
[www.wythehotel.com](http://www.wythehotel.com)



**Schwarzschmied**  
LANA, ITALY  
[www.schwarzschmied.com/en](http://www.schwarzschmied.com/en)



**Ace Hotel**  
LONDON | LA | PANAMA  
[www.acehotel.com](http://www.acehotel.com)



**THE LANGHAM**  
**The Langham**  
SHANGHAI, CHINA  
[www.langhamhotels.com](http://www.langhamhotels.com)

## Our partners



**The Henrietta Hotel**  
LONDON, ENGLAND  
[www.henriettahotel.com](http://www.henriettahotel.com)

**THE EPIPHANY**

**Epiphany**  
PAOLO ALTO, USA  
[www.jdvhotels.com](http://www.jdvhotels.com)



**The Arch**  
LONDON, ENGLAND  
[www.thearchlondon.com](http://www.thearchlondon.com)

**NORTH BRIDGE LOFTS**

**North Bridge Lofts**  
EDINBURGH, SCOTLAND  
[www.northbridgelofts.com](http://www.northbridgelofts.com)



**Almalusa**  
LISBON, PORTUGAL  
[www.almalusahotels.com](http://www.almalusahotels.com)



**CARMEL VALLEY RANCH**  
**Carmel Valley Ranch**  
CARMEL, USA  
[www.carmelvalleyranch.com](http://www.carmelvalleyranch.com)



**THE SANDY DUCK**  
FALMOUTH

**The Sandy Duck**  
FALMOUTH, ENGLAND  
[www.thesandyduck.co.uk](http://www.thesandyduck.co.uk)



**The Explorers Society**  
REVELSTOKE, BC, CANADA  
[www.explorers-society.com](http://www.explorers-society.com)



**THE BEEKMAN**  
A THOMPSON HOTEL  
**The Beekman**  
NEW YORK, USA  
[www.thebeekman.com](http://www.thebeekman.com)

**WITT HOTELS**  
ISTANBUL SUITES

**Witt**  
ISTANBUL, TURKEY  
[www.wittistanbul.com](http://www.wittistanbul.com)



[www.REVO.co.uk](http://www.REVO.co.uk)

REVO

TELESTAR-DIGITAL GmbH  
Am Weiher 14  
56766 Ulmen/Germany  
+49 (0) 2676 95 200  
[info@REVO.co.uk](mailto:info@REVO.co.uk)



[www.instagram.com/follow\\_REVO](https://www.instagram.com/follow_REVO)



[www.facebook.com/REVOtechnologies](https://www.facebook.com/REVOtechnologies)



[www.twitter.com/followREVO](https://www.twitter.com/followREVO)